

Cable Glands for Non-armoured Cables

CRATER



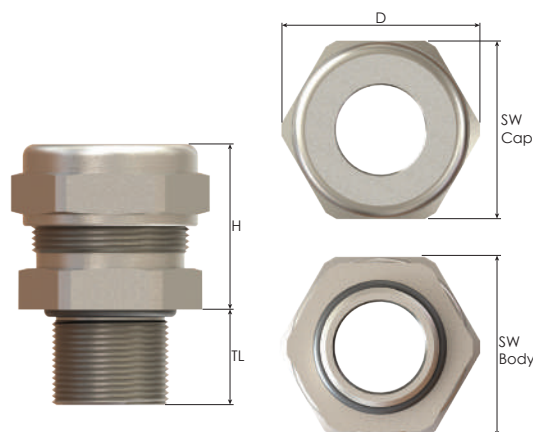
Technical Details			
Material	Body, Cap	Brass, Brass Nickel Plated, Stainless Steel 316L, Aluminium	
	Inner Part	Brass, Brass Nickel Plated, Stainless Steel 316L, Aluminium	
	Seal	CR (Chloroprene), Silicone	
	O-ring	CR (Chloroprene), Silicone	
Ingress Protection Rating	IP 68 - 5 Bar, 30 min IP 66		
Operating Temperature	Seal Material		
Ex d/e/tb	CR (Chloroprene)	-40°C to +100°C	
	Silicone	-60°C to +130°C	
Equipment For	Gas & Dust potentially explosive atmospheres		
Suitable for use in	Group II	Gas Group IIC	ZONE1/ZONE2
	Group III	Dust Group IIIC	ZONE21/ZONE 22
Equipment Marking	Ex II 2GD Ex d IIC Gb Ex e IIC Gb Ex tb IIIC Db		
Marking Example *	BMD KBU.. CE 0722 IIIGD Ex db IIC Gb Ex eb IIC Gb Ex tb IIIC Db Ta -40°C to +80°C IP66/68 CESI 13 ATEX 033X IECEx CES 13.0013X		
Thread Type	<ul style="list-style-type: none"> • Metric (M) ISO Pitch 1,5 • NPT (N) ANSI ASME B1.20.1 • Other thread types also available upon request. 		
Cable Type	Non Armoured		
Accessories	<ul style="list-style-type: none"> • Lock nuts • Gaskets (Washers) • Serrated Washers • Earth tags 		
Remarks	<ul style="list-style-type: none"> • Accessories must be ordered separately. • O-ring available in Metric outer threads. 		
Approvals	Certificate Number	Standards	
	CESI 13 ATEX 033X	EN 60079-0:2012+A11:2013 EN 60079-1:2007 EN 60079-7:2007 EN 60079-31:2009	
	IECEx CES 13.0013X	IEC 60079-0:2011 Edition:6.0 IEC 60079-1:2007-04 Edition:6.0 IEC 60079-31:2008 Edition:1 IEC 60079-7:2006-07 Edition:4	
	№ TC RU C-TR.AA87.B.00941	ГОСТ 31610.0-2014 ГОСТ IEC 60079-1:2013 ГОСТ IEC 60079-31:2013	
	DNV 12.0053 X	ABNT NBR IEC 60079-0:2013 ABNT NBR IEC 60079-1:2009 ABNT NBR IEC 60079-7:2008 ABNT NBR IEC 60079-31:2011	
	E-14044	IEC/EN60079-0 IEC/EN60079-7 IEC/EN60079-31 IEC/EN60079-1 IEC/EN 62444	
	MASC MS/18-0240X	SANS (IEC) 60079-0 : 2011 SANS (IEC) 60079-1 : 2014 SANS (IEC) 60079-7 : 2007 SANS (IEC) 60079-31 : 2014	
-For more information see our webpage.			
* The standard marking consists ATEX & IECEx only. Marking acc. to other standards on request.			



Order Coding						
Part Number	Material	Seal	-	Gasket (Washer)	Serrated Washer	Lock Nut
	Mandatory	Mandatory	-	Option	Option	Option
See table	B Brass BN Brass Nickel plated X Stainless steel A Aluminium	C Chloroprene S Silicone	-	WC Chloroprene WS Silicone WF Fiber	WSR Serrated washer	L Lock nut
Example			-			
KBU5N	BN	S	-	WC	WSR	L E

CRATER

Cable Glands for Non-armoured Cables



Thread Type METRIC acc. to ISO 965-3								
Outer Thread Size (Male)	Clamping Range Ø min-max mm	Outer Thread Length TL mm	Spanner Width		Outer Ø D mm	max. Height		Part Number
			Cap SW Cap mm	Body SW Body mm		H mm		
M16x1,5	3,0 - 8,5	16,0	26	22	29,0	27,0	KBU01M	
	6,0 - 12,0	16,0	29	25	31,5	30,0	KBU01LM	
M20x1,5	6,0 - 12,0	16,0	29	25	31,5	29,5	KBU1M	
	12,0 - 14,5	16,0	30	28	33,5	30,0	KBU1LM	
M25x1,5	6,0 - 12,0	18,0	29	29	31,5	30,5	KBU2SM	
	12,0 - 16,0	18,0	34	32	37,0	30,5	KBU2M	
	12,0 - 20,0	18,0	40	36	44,5	34,5	KBU2LM	
M32x1,5	12,0 - 20,0	18,0	40	40	44,5	35,5	KBU3SM	
	15,0 - 26,0	18,0	52	48	57,0	42,5	KBU3M	
M40x1,5	15,0 - 26,0	18,0	52	48	57,0	42,5	KBU4SM	
	20,0 - 32,0	18,0	60	55	66,0	52,0	KBU4M	
M50x1,5	22,0 - 35,0	18,0	70	60	77,0	52,0	KBU5SM	
	27,0 - 41,0	18,0	70	70	77,0	55,5	KBU5M	
M63x1,5	35,0 - 45,0	20,0	80	75	89,5	63,5	KBU6SM	
	40,0 - 52,0	20,0	85	85	94,0	63,5	KBU6M	
M75x1,5	40,0 - 52,0	20,0	85	85	94,0	63,5	KBU7SM	
	45,0 - 60,0	20,0	95	90	105,0	73,5	KBU7M	
M90x1,5	45,0 - 60,0	20,0	95	95	105,0	73,5	KBU8SM	
	60,0 - 72,0	20,0	115	110	127,0	85,5	KBU8M	

Thread Type NPT acc. to ANSI ASME B1.20.1								
Outer Thread Size (Male)	Clamping Range Ø min-max mm	Outer Thread Length TL mm	Spanner Width		Outer Ø D mm	max. Height		Part Number
			Cap SW Cap mm	Body SW Body mm		H mm		
NPT 3/8"	3,0 - 8,5	16,0	26	22	29,0	27,0	KBU01N	
	6,0 - 12,0	16,0	29	25	31,5	30,0	KBU01LN	
NPT 1/2"	6,0 - 12,0	21,0	29	25	31,5	29,0	KBU1N	
	12,0 - 14,5	21,0	30	28	33,5	30,0	KBU1LN	
NPT 3/4"	6,0 - 12,0	21,0	29	29	31,5	30,5	KBU2SN	
	12,0 - 16,0	21,0	34	32	37,0	30,5	KBU2N	
NPT 1"	12,0 - 20,0	21,0	40	36	44,5	34,0	KBU2LN	
	15,0 - 26,0	26,0	40	40	44,5	35,5	KBU3SN	
NPT 1 1/4"	15,0 - 26,0	26,0	52	48	57,0	42,0	KBU3N	
	20,0 - 32,0	28,0	52	48	57,0	44,0	KBU4SN	
NPT 1 1/2"	20,0 - 32,0	28,0	60	55	66,0	52,0	KBU4N	
	22,0 - 35,0	28,0	70	60	77,0	52,0	KBU5SN	
NPT 2"	27,0 - 41,0	28,0	70	70	77,0	55,5	KBU5N	
	35,0 - 45,0	28,0	80	75	89,5	63,0	KBU6SN	
NPT 2 1/2"	40,0 - 52,0	28,0	85	85	94,0	63,5	KBU6N	
	40,0 - 52,0	41,0	85	85	94,0	63,5	KBU7SN	
NPT 3"	45,0 - 60,0	41,0	95	90	105,0	73,5	KBU7N	
	45,0 - 60,0	43,0	95	95	105,0	73,5	KBU8SN	
	60,0 - 72,0	43,0	115	110	127,0	85,5	KBU8N	