

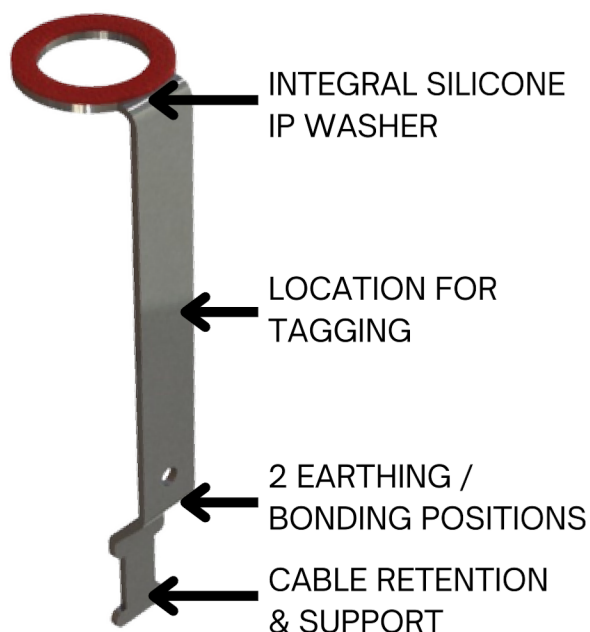
## Omni<sup>®</sup> Accessory

The Omni accessory offers the unique facility of cable entry IP sealing with integral high temperature silicone washer, external earthing, cable identification and additional cable support and pull-out resistance, all in 1 product.

The Omni Accessory also provides an extra fixing point for other accessories such as RFID tags, additional markers or a secondary earth bonding point.

## Omni<sup>®</sup> Features

- Manufactured in nickel plated brass
- Provides additional cable support & retention\*
- Simple & low-cost 1-piece design
- Compatible with all major cable gland designs
- Provides earthing connection as specified in BS6121:Part5:1993
- Complies with Cat B rating specified in IEC62444

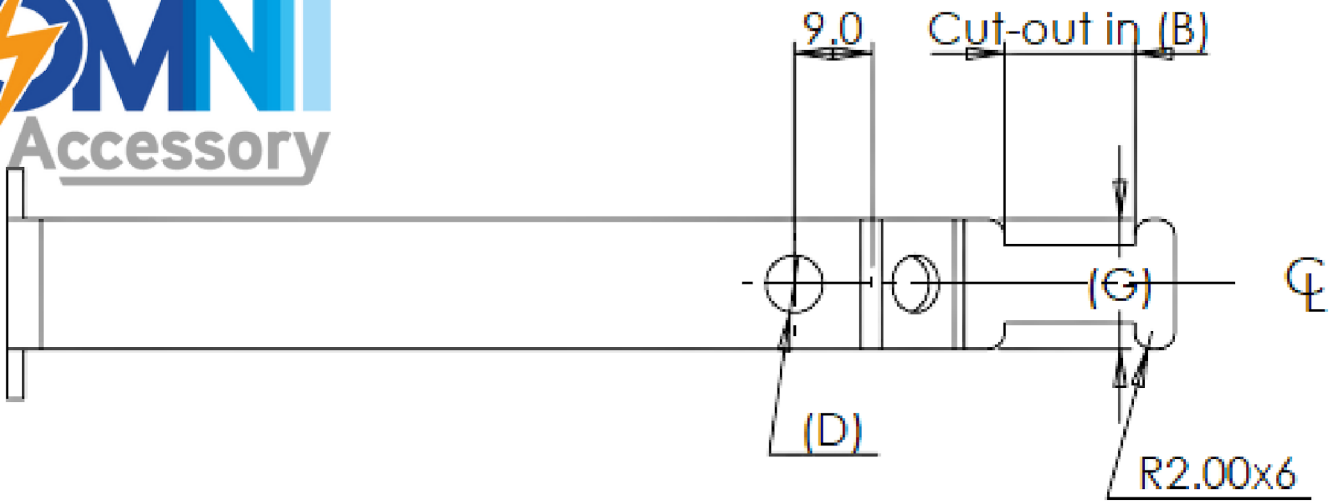


## Ordering Codes

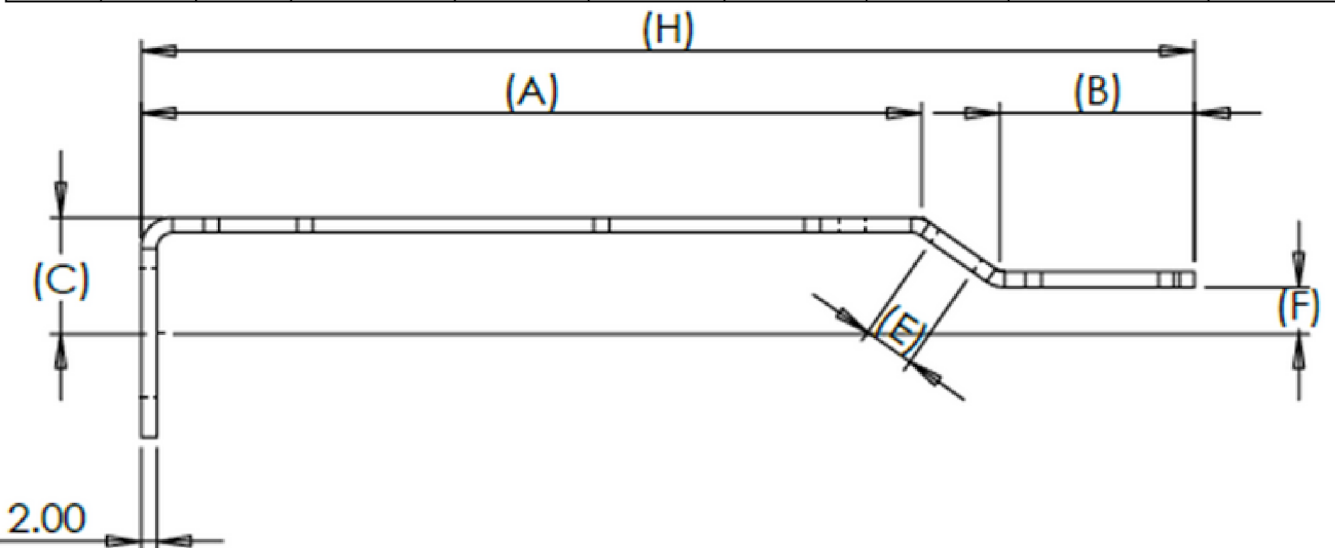
OMNI M20  
OMNI M25  
OMNI M32  
OMNI M40

OMNI 1/2NPT  
OMNI 3/4NPT  
OMNI 1NPT  
OMNI 1 1/4NPT

\*requires cable tie or similar. Not provided



Size	ID	C	Overall Length	Length A	Length B	Length G	Cut out B	F Distance from CL	Holes D & E
M20	20.5	19	135	100	25	15	15	8.0	M6
M25	25.6	23	165	130	25	15	15	10.5	M6
M32	32.6	27	165	130	25	20	15	13.5	M12
M40	40.6	32	185	130	45	20	35	17.0	M13



Size NPT	ID	C	Overall Length	Length A	Length B	Length G	Cut out B	F Distance from CL	Holes D & E
1/2"	21.5	19	135	100	25	15	15	8.0	M6
3/4"	26.8	23	165	130	25	15	15	10.5	M6
1"	34.1	27	165	130	25	20	15	13.5	M12
1 1/4"	42.6	32	185	130	45	20	35	17.0	M13